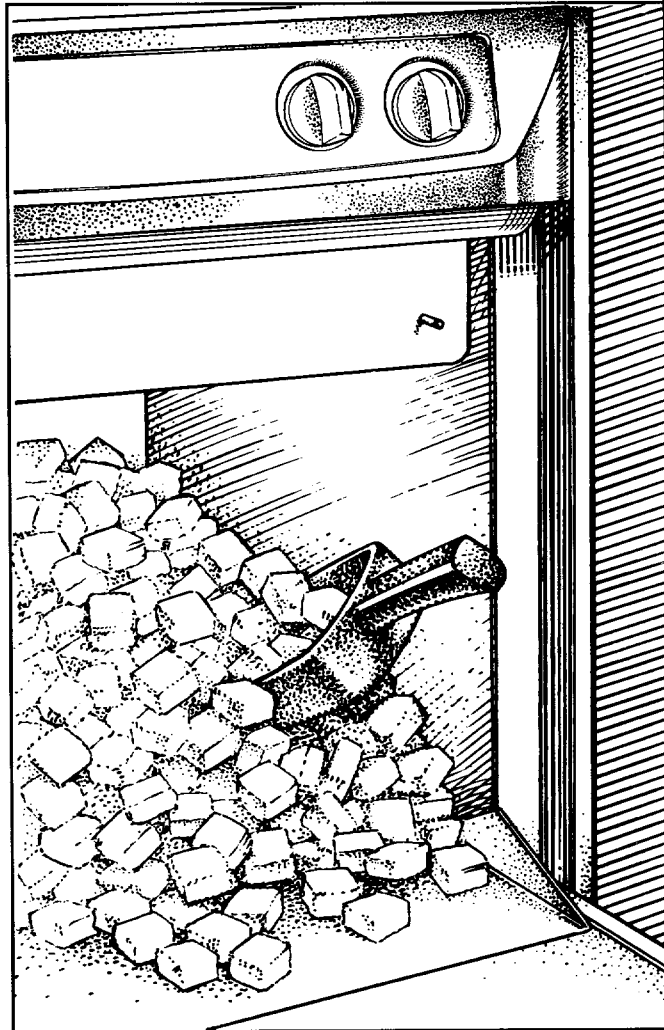


Use and Care Guide



KitchenAid FOR THE WAY IT'S MADE.™

A Note to You	2
Ice Maker Safety	3
Parts and Features	5
Operating Your Ice Maker	6
Understanding how your ice maker works	6
Setting the controls	7
Changing the bin door panel	7
Changing the lower access panel	8
Changing the light bulb	10
Cleaning Your Ice Maker	11
Cleaning exterior surfaces	11
Cleaning the condenser ...	11
Cleaning the ice maker system	12
Cleaning the interior components	14
Filtering and treating water	16
Caring for Your Ice Maker ...	17
Vacation and moving care	17
Troubleshooting	19
Requesting Assistance or Service	20
Index	23
Warranty	24

1-800-422-1230

Call our Consumer Assistance Center
with questions or comments.

KITCHENAID® Automatic Ice Maker

PART NO. 2181092

A Note to You

Thank you for buying a KITCHENAID® appliance!

KitchenAid designs the best tools for the most important room in your house. To ensure that you enjoy many years of trouble-free operation, we developed this Use and Care Guide. It contains valuable information concerning how to operate and maintain your new appliance properly and safely. Please read it carefully.

Also, please complete and mail the enclosed Product Registration Card.

Please record your model's information.

Whenever you call our Consumer Assistance Center at **1-800-422-1230** or request service for your appliance, you need to know your complete model number and serial number. You can find this information on the model and serial number label/plate (see diagram on page 5 for location of plate).

Please also record the purchase information.

NOTE: You must provide proof of purchase or installation date for in-warranty service.

Keep this book and the sales slip together in a safe place for future reference.

Model Number _____

Serial Number _____

**Purchase/
Installation Date** _____

**Builder/Dealer
Name** _____

Address _____

Phone _____

Ice Maker Safety

Your safety and the safety of others is very important.

We have provided many important safety messages in this manual and on your appliance. Always read and obey all safety messages.



This is the safety alert symbol.

This symbol alerts you to hazards that can kill or hurt you and others.

All safety messages will be preceded by the safety alert symbol and the word "DANGER" or "WARNING." These words mean:

! DANGER

You will be killed or seriously injured if you don't follow instructions.

! WARNING

You can be killed or seriously injured if you don't follow instructions.

All safety messages will identify the hazard, tell you how to reduce the chance of injury, and tell you what can happen if the instructions are not followed.

IMPORTANT SAFETY INSTRUCTIONS

WARNING – To reduce the risk of fire, electric shock, or injury when using your ice maker, follow these basic precautions:

- Plug into grounded 3 prong outlet.
- Do not remove ground prong.
- Do not use an adapter.
- Do not use an extension cord.
- Disconnect power before cleaning.
- Disconnect power before servicing.
- Replace all panels before operating.
- Use two or more people to move or install ice maker.

– SAVE THESE INSTRUCTIONS –



Ice Maker Safety

Help us help you

Please be sure your ice maker:

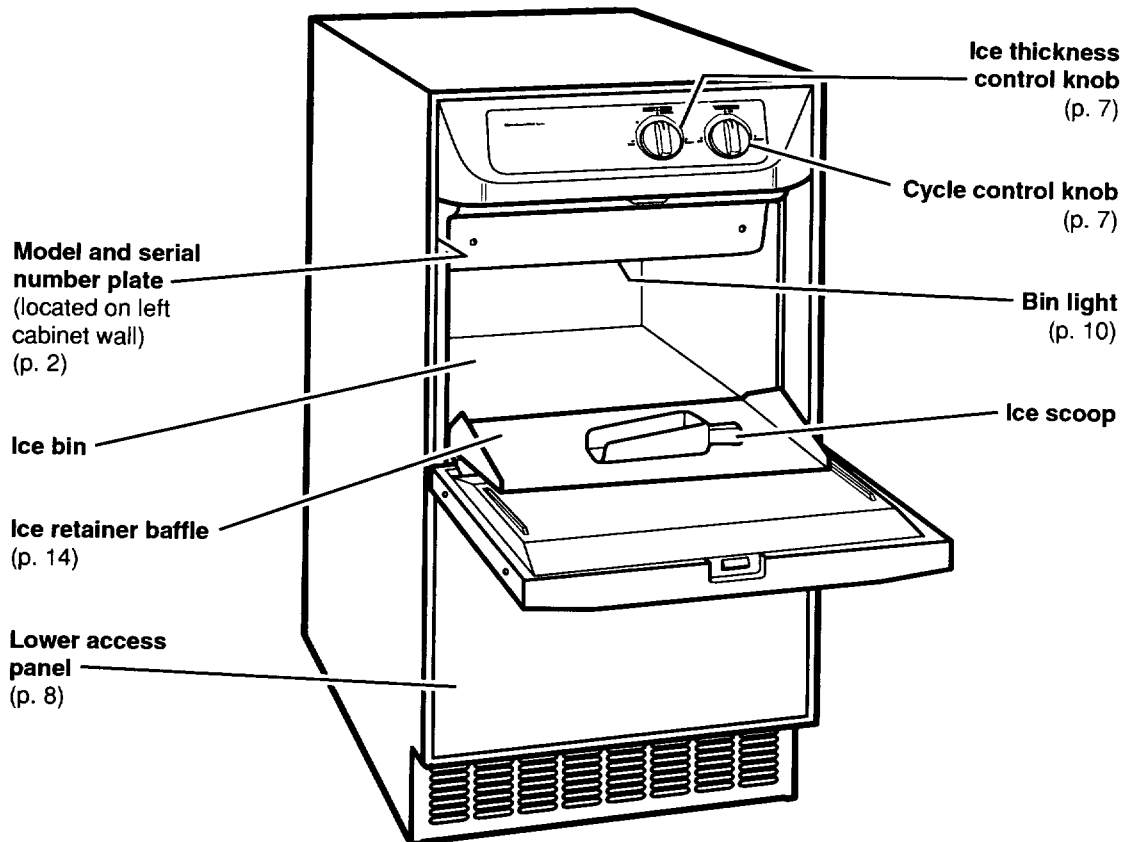
- Is installed where it is protected from the elements.
- Is located so that the front is not blocked, restricting incoming or discharged air flow.
- Is properly leveled.
- Is located in a well ventilated area with temperatures above 55°F (13°C) and below 110°F (43°C). Best results are obtained at temperatures between 70°F (21°C) and 90°F (32°C).
- Is properly connected to a water supply and drain.
- Is connected only to the proper kind of outlet, with the correct electric supply and grounding. A 120 Volt, 60 Hz., 15 or 20 amp fused electrical supply is required.

NOTE: Time delay fuse or circuit breaker is recommended.

- Is not used by anyone unable to operate it properly.
- Is used only to do what ice makers are designed to do.
- Is properly maintained.


Parts and Features

Below is an illustration of your appliance with the parts and features called out. To help you find information on specific parts or features quickly, page references are included.



Operating Your Ice Maker

This section tells you how to operate the ice maker. Operating your ice maker properly enables you to obtain the best possible results.

	!WARNING
	Electrical Shock Hazard Plug into a grounded 3 prong outlet. Do not remove ground prong. Do not use an adapter. Do not use an extension cord. Failure to follow these instructions can result in death, fire, or electrical shock.

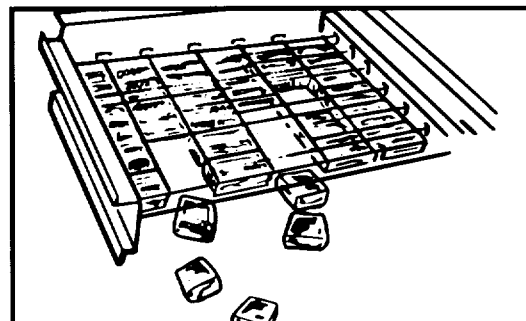
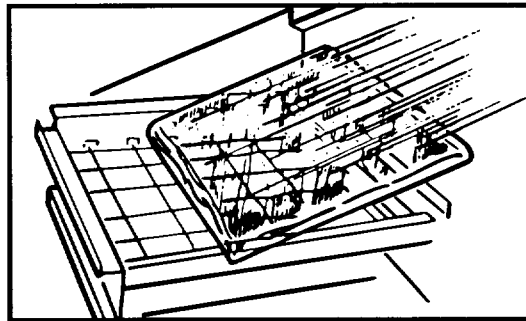
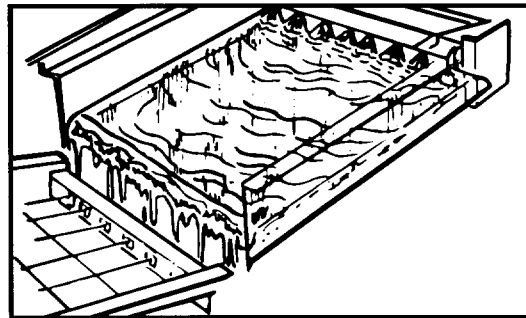
Understanding how your ice maker works

1. Water is constantly circulated over a freezing plate. As the water freezes into ice, the minerals in the water are rejected. This produces a sheet of ice with a low mineral content.

NOTE: The ice maker is designed to make clear ice from the majority of water sources on a daily basis. If your results are unsatisfactory, water may need to be filtered or treated. See "Filtering and treating water" on page 16.

2. When the desired thickness is reached, the ice sheet is released and slides onto a cutter grid. The grid divides the sheet into individual cubes.
3. The water containing the rejected minerals is drained after each freezing cycle.
4. Fresh water enters the machine for the next ice making cycle.

5. Cubes fall into the storage bin. When the bin is full, the ice maker shuts off automatically and restarts when more ice is needed.





Setting the controls

1. Select ice thickness. The ice maker has been preset to produce ice approximately $\frac{1}{2}$ " (13 mm) thick, while operating in a room temperature of 70°F (21°C).

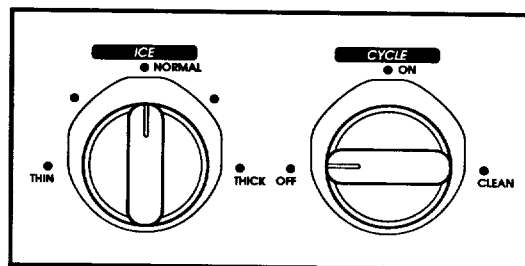
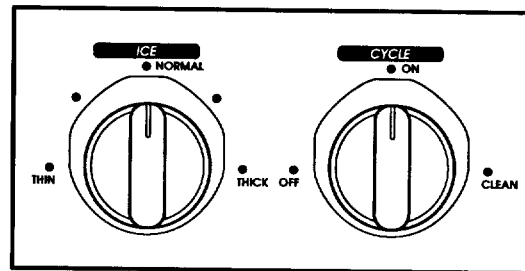
Operation in different room temperatures may require readjusting the Ice Thickness Control Knob toward "THICK" or "THIN."

Best operation will be obtained with ice $\frac{1}{2}$ " (13 mm) to $\frac{5}{8}$ " (16 mm) thick.

If operating in a warm room (above 90°F [32°C]), ice maker will normally produce thicker ice. **Do not** set control to maximum thickness or the unit may malfunction.

2. To start the normal ice making cycle, turn the Cycle Control Knob to "ON."
3. To stop ice maker operation, turn Cycle Control Knob to "OFF."

The "CLEAN" setting is used whenever solutions are circulated through the ice maker for cleaning. Only the water pump operates at this setting. See "Cleaning the ice maker system" on page 12 for specific instructions.

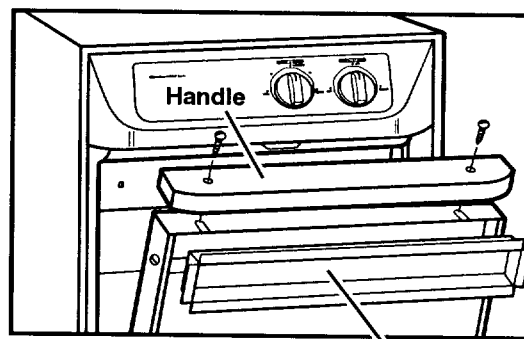


Changing the bin door panel

You can easily change the color of the front panel on the storage bin door.

To change bin door panel:

1. Open the storage bin door. Remove the two screws on the top of the door, which hold the handle.
2. Loosen the screws in both of the side trim pieces.
3. Remove the handle and the handle insert.



Handle insert

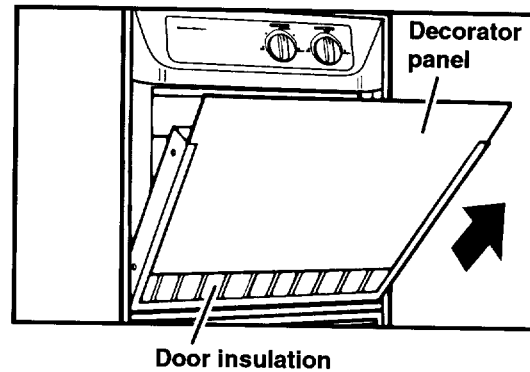
continued on next page



Operating Your Ice Maker

- Carefully slide the panel out.
- Choose the color you want to show and carefully slide the panel back into the door.
NOTE: Be careful not to scratch the panel as it is inserted.
- Replace the handle insert and tighten the screws in both side trim pieces. Replace the handle and the screws.

NOTE: You can make a decorative wood front for the bin door to match existing cabinets. The panel should be $\frac{1}{4}$ " (6 mm) thick and $17" \times 11\frac{1}{4}"$ (433 mm x 286 mm). Remove the color panel and break off the ribs on the door insulation to allow for wood thickness.

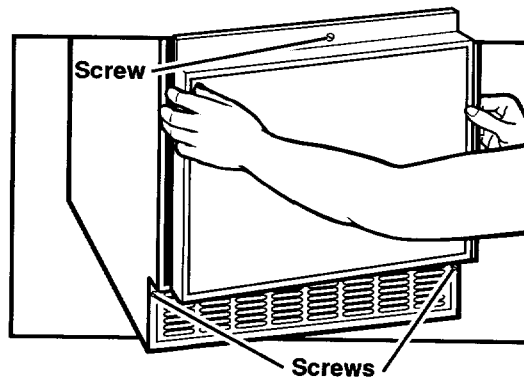


Changing the lower access panel

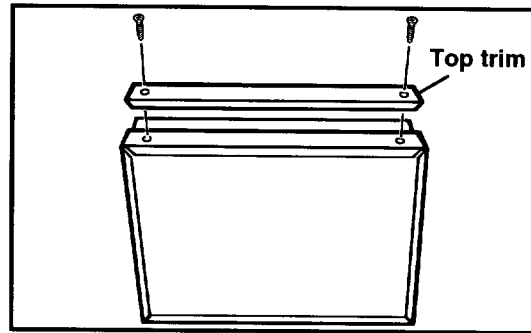
⚠ WARNING

Electrical Shock Hazard
Disconnect power before servicing.
Replace all panels before operating.
Failure to do so can result in death or electrical shock.

- Unplug ice maker or disconnect power.
- Remove the two screws in the lower access panel and the one screw from the center of the front panel support. (Open bin door slightly for better access to screw.) Pull the bottom forward and then pull down to remove the lower access panel.



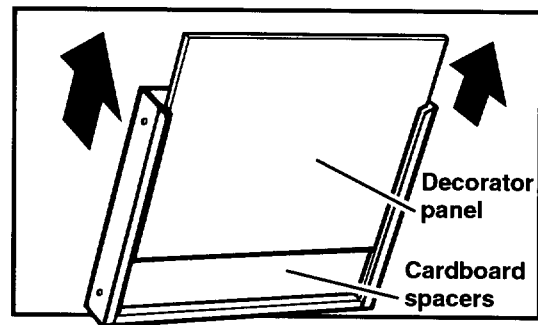
3. Remove the two screws from the top panel trim and remove the top trim.



4. Carefully slide the panel out.
5. Choose the color you want to show and carefully slide the panel back into the lower access panel.
NOTE: Be careful not to scratch the panel as it is inserted.
6. Replace the top trim and screws. Replace the lower access panel assembly and screws.

NOTE: You can make a decorative wood front to match existing cabinets. The panel should be $\frac{1}{4}$ " (6 mm) thick and 17" x 11 $\frac{15}{16}$ " (433 mm x 303 mm). Remove the color panel and spacers to allow for wood thickness.

7. Plug in ice maker or reconnect power.

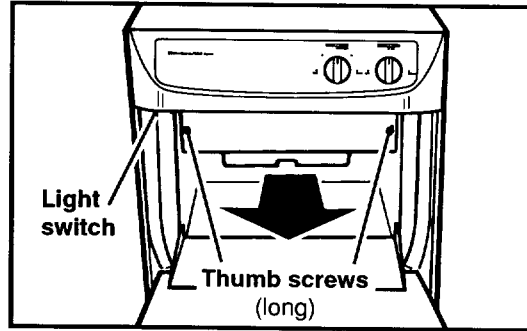




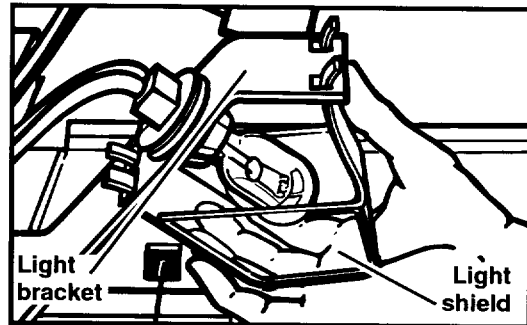
Changing the light bulb

The ice maker has a light bulb in the top of the storage bin. To replace it, open the bin door and follow these instructions:

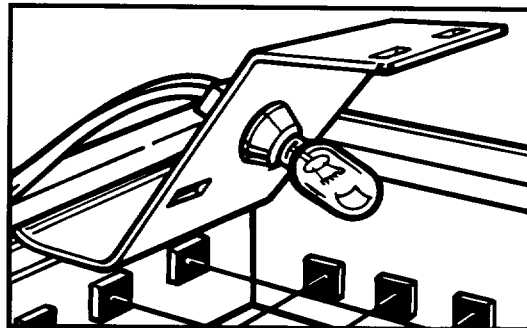
1. Unplug ice maker or disconnect power.
2. Remove the two thumb screws and slide the ice cutter grid forward, out of the two slots near the water pan. Set the ice cutter grid on the bin door.



3. Press the front of the light shield in while pulling down to remove it from the light bracket.



4. Remove and replace with a 12-volt wedge base-type bulb (automotive #917).
5. Replace the light shield, ice cutter grid, and two thumb screws.
6. Plug in ice maker or reconnect power.



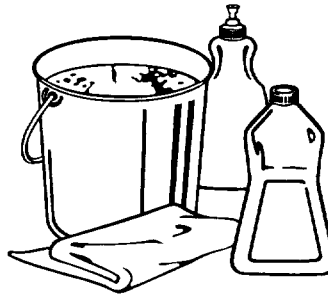
Cleaning Your Ice Maker

Periodically inspect and clean the ice maker to keep it operating at peak efficiency and to prevent premature failure of system components. Both the ice making system and the air-cooled condenser need to be cleaned regularly.

Cleaning exterior surfaces

Wash the exterior enamel surfaces and gaskets with warm water and mild soap or detergent. Wipe and dry. Regular use of a good household appliance cleaner and wax will help protect the finish.

Do not use abrasive cleaners on enamel surfaces as they may scratch the finish.



Cleaning the condenser

A clean condenser helps to provide proper airflow. It also ensures normal ice making capacity and normal operating temperatures.

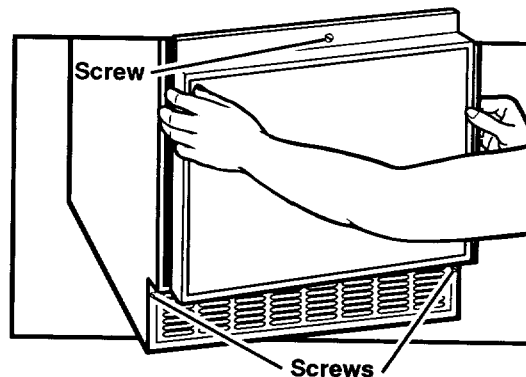
⚠ WARNING
A black and white icon showing a hand with a lightning bolt striking it, indicating an electrical shock hazard.
Electrical Shock Hazard Disconnect power before cleaning. Replace all panels before operating. Failure to do so can result in death or electrical shock.

1. Unplug ice maker or disconnect power.

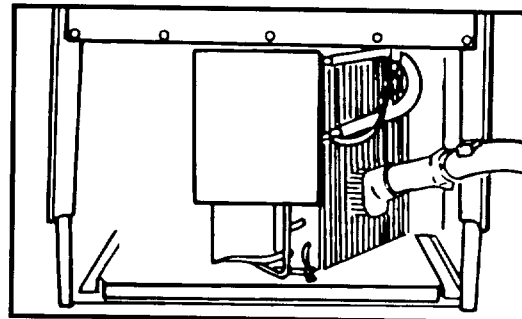
continued on next page

Cleaning Your Ice Maker

2. Remove the two screws in the lower access panel and the one screw from the center of the front panel support. (Open bin door slightly for better access to the screw.)
3. Pull the bottom forward and then pull down to remove the lower access panel.



4. Remove dirt and lint from the condenser fins and the unit compartment with a brush attachment attached to a vacuum cleaner.
5. Replace the lower access panel and screws.
6. Plug in ice maker or reconnect power.

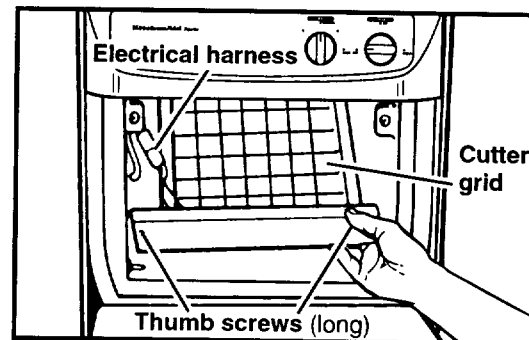


Cleaning the ice maker system

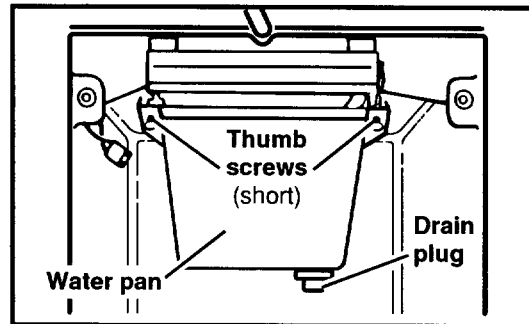
The minerals rejected from the circulating water during the freezing cycle will eventually form a hard scaly deposit in the water system which prevents a rapid release of the ice from the freezing plate.

Clean the ice and water system periodically to remove mineral scale buildup. Frequency of cleaning depends on water hardness. With hard water (15 to 20 grains/gal. [4 to 5 grains/liter]), cleaning may be required as frequently as every six months.

1. Turn the Cycle Control Knob to "OFF."
2. Remove the 2 thumb screws and slide the ice cutter grid forward, out of the 2 slots near the water pan.
3. Unplug the electrical harness.
NOTE: Any ice on the grid should be melted under running warm water. Attempting to pick the ice slab off the grid may stretch and damage grid wires.
4. Remove all ice from the storage bin and the freezing plate.



5. Drain the water pan by removing the drain plug and then replace the plug.



6. Pour ½ gallon (1.9 L) of hot tap water into the water pan* and turn the Cycle Control Knob to “CLEAN.” This warms up the system to make the cleaning solution more effective. Let circulate for five minutes. While tap water is circulating, prepare cleaning solution. Mix:

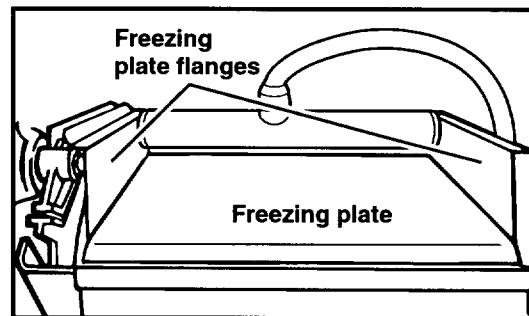
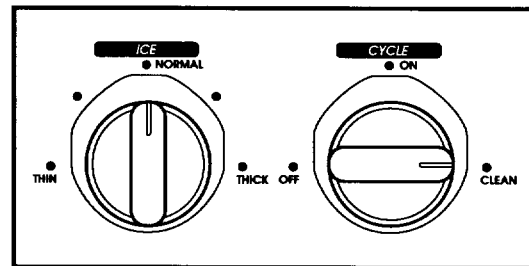
- 6 oz. (170 g) powdered citric, or phosphoric acid
- ½ gallon (1.9 L) hot water

(Citric and phosphoric acid powders are available or can be ordered from many pharmacies or scientific supply houses.)

NOTE: Commercial ice machine cleaners (liquid) are also available from your dealer or refrigeration parts supply stores. Mix according to instructions on label (total quantity ½ gallon [1.9 L]).

7. Turn Cycle Control Knob to “OFF” and drain the water pan. (See Step 5.)
8. Turn the Cycle Control Knob to “CLEAN” and slowly pour the hot cleaning solution into the water pan.* (If solution foams while pouring, wait until foaming stops.) Then add the balance of the solution.
- Allow solution to circulate until the scale has dissolved (15 to 20 minutes). Severe scale buildup may require repeated cleaning with a fresh quantity of cleaning solution.

To clean scale off the side flanges of the freezing plate, use rubber gloves and scrub with a non-abrasive plastic scrubbing pad or nylon brush dipped in cleaning solution.



* For easier pouring of water and cleaning solution, use a 1- or 2-cup (0.5 L) container.



Cleaning Your Ice Maker

9. Keep rubber gloves on to drain the cleaning solution. Turn the Cycle Control Knob to "OFF" and drain the water pan. (See Step 5.)
 10. Replace the plug and add ½ gallon (1.9 L) of fresh water.* Set Cycle Control Knob on "CLEAN," circulate five minutes, and drain. Repeat rinsing process.
 11. To start normal ice making cycle:
 - Reconnect electrical harness, slide cutter grid into place, and tighten thumb screws.
 - Replace ice retainer baffle.
 - Turn Cycle Control Knob to "ON."
- * For easier pouring of water and cleaning solution, use a 1- or 2-cup (0.5 L) container.

NOTE: To clean the interior components, see "Cleaning the interior components" below.

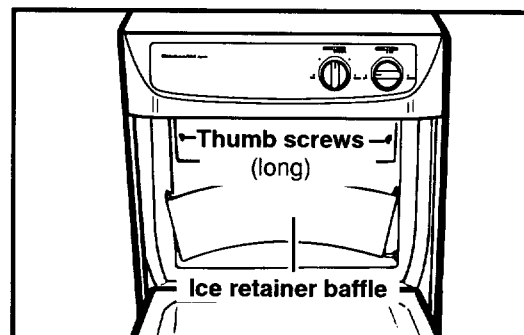
Cleaning the interior components

⚠ WARNING

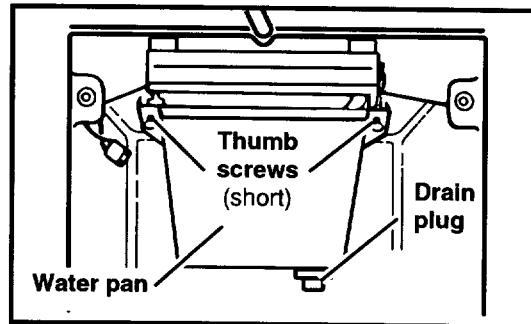


Electrical Shock Hazard
Disconnect power before cleaning.
Replace all panels before operating.
Failure to do so can result in death or electrical shock.

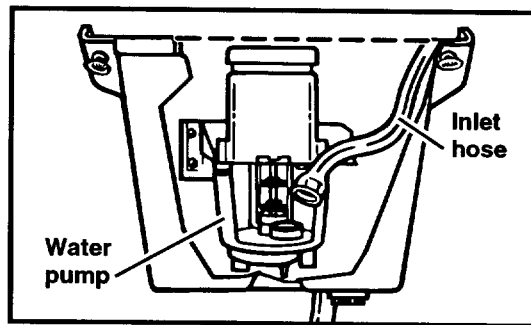
1. Unplug ice maker or disconnect power.
2. Open the storage bin door and remove any ice that is in the bin.
3. Remove ice retainer baffle by flexing it and then slide it off the studs.
4. Remove the ice cutter grid by unscrewing the 2 thumb screws, sliding the grid forward, and unplugging the electrical wire harness.



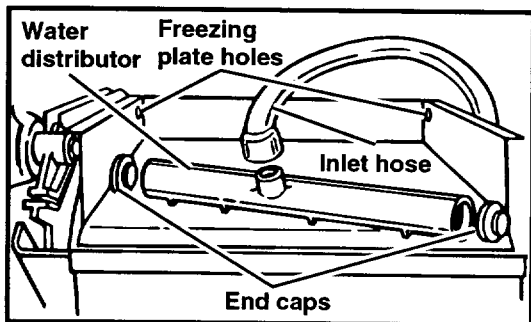
5. Remove the water pan by unscrewing and removing the 2 thumb screws and washers.



6. Remove the hose from the water pump.



7. Remove the water distributor from the freezing plate. It is held in place by rubber end caps. Remove the inlet hose and clean all water distributor holes and the small orifice in the inlet side of the water distributor. When replacing the water distributor, make sure the end caps are located in the freezing plate holes and that the water distributor holes face down.



8. Wash the **interior components** (ice retainer baffle, cutter grid, water pan, inlet hose, and water distributor) and the storage bin, door gasket, and ice scoop with mild soap or detergent and warm water. Rinse in clean water. These components should then be cleaned in a solution of 1 tablespoon (15 mL) of household bleach in 1 gallon (3.8 L) warm water. Rinse again thoroughly in clean water.

Do not wash plastic parts in dishwasher. They cannot withstand temperatures above 145°F (63°C).

continued on next page



Cleaning Your Ice Maker

9. Replace the interior components: water distributor, inlet hose, and water pan.
10. Check the following:
 - Hose from water valve is in water pan.
 - Rubber drain plug is in water pan.
 - Water distributor is located properly and holes are facing down.
 - Hose is reconnected to pump and water distributor.
 - Hose from water pan is inserted into storage bin drain opening.
11. Reconnect electrical harness, slide cutter grid into place, and tighten the thumb screws. Replace the ice retainer baffle.
12. Plug in ice maker or reconnect power.
13. Reset the controls. See “Setting the controls” on page 7.

Filtering and treating water

In some areas it may be beneficial to filter or treat the water being supplied to the ice maker. It can improve the reliability of the machine, reduce water system maintenance, and produce the best quality of ice.

The installation of a polyphosphate feeder will generally reduce scale buildup and the ice maker will require less frequent cleaning.

Municipal water systems are generally treated with chlorine to maintain a safe drinkable water supply. Activated carbon filters will sufficiently remove the residual chlorine from the water to reduce surface staining of stainless steel materials in the ice machine.

For more information on filtering and treating the water, see the dealer from whom you purchased your ice maker or an authorized KitchenAid servicer.

Caring for Your Ice Maker

When going on vacation or moving, there are a few things you need to do to disconnect your ice maker. This section explains how to shut down your ice maker properly.

Vacation and moving care

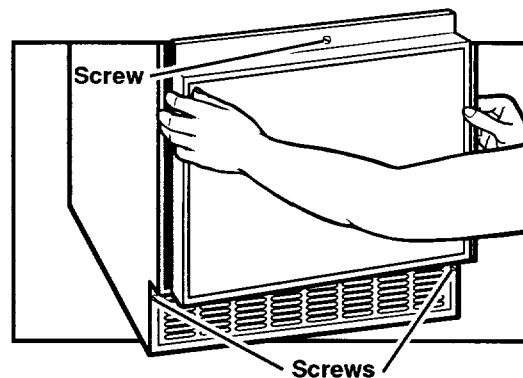
⚠ WARNING



Electrical Shock Hazard
Disconnect power before servicing.
Replace all panels before operating.
Failure to do so can result in death or electrical shock.

To shut down the ice maker:

1. Unplug ice maker or disconnect power.
2. Remove all ice from storage bin.
3. Shut off the water supply.
4. Remove the two screws in the lower access panel area and the one screw from the center of the front panel support. (Open bin door slightly for better access to the screw.) Pull the bottom forward and then pull down to remove the lower access panel.

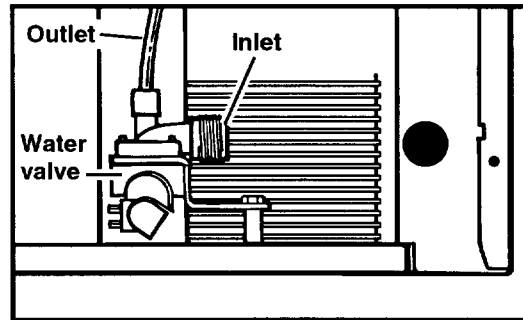


continued on next page



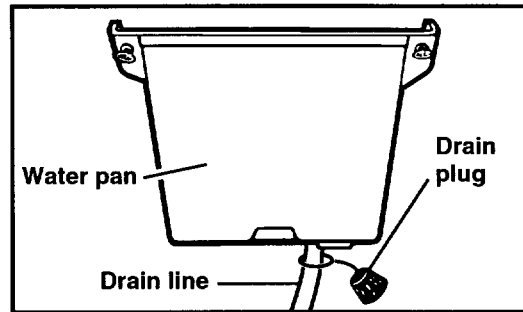
Caring For Your Ice Maker

5. Disconnect the inlet and outlet lines to water valve. Allow these lines to drain and then reconnect to the valve.
6. Replace lower access panel and screws.



7. Drain water from water pan by removing drain plug. Also, remove water from drain line.
8. Before using again, clean the ice maker and storage bin.
9. Plug in ice maker or reconnect power.

NOTE: All components of the ice maker are permanently lubricated at the factory. They should not require any additional oiling throughout the normal life of the machine.



Troubleshooting

Before calling for service ...

If your appliance fails to operate, review the following list before calling your dealer. This could save you the cost of a service call, especially for a problem that is not covered by the warranty.

PROBLEM	POSSIBLE CAUSE
Unit does not run	<ul style="list-style-type: none">• Cycle Control Knob must be in the "ON" position.• Check to see that power cord is plugged in.• Check for blown fuse or tripped circuit breaker in electrical supply to machine.• Room temperature must be above 55°F (13°C). Otherwise, bin thermostat may sense cold room temperature and shut off even though bin is not full of ice. Also, unit may not restart once it does shut off.
Unit runs but produces no ice	<ul style="list-style-type: none">• Cycle Control Knob must be in the "ON" position.• Check water supply to make sure it is open.• If ice maker is to be operated at an elevation of 2,000 feet (600 m) or more above sea level, both the Bin Thermostat and the Ice Thickness Thermostat will need to be recalibrated. Call your dealer or an authorized service group to have the necessary changes made.
Unit runs but produces very little ice	<ul style="list-style-type: none">• Room temperature may be extremely high, more than 90°F (32°C). In this case, it is normal for ice production to be low.• Dirt or lint may be blocking the airflow through the condenser. Condenser needs to be cleaned.• Check to see if the unit has a scale buildup in water and freezing system. Clean, if necessary.
Grid is not cutting ice sheets	<ul style="list-style-type: none">• Check the grid harness plug to make sure the connection is secure.
Taste in ice cubes	<ul style="list-style-type: none">• There may be an unusually high mineral content in water supply. Water may need to be filtered or treated.• Do not store any foods in the ice bin.• Packaging material not all removed.

A more detailed "Trouble Diagnosis Chart" and other technical information is shipped with each unit and is located in the storage bin.

Service repair and replacement parts manuals may be ordered directly from:

KitchenAid
Parts Distribution Center
123 Koomler Drive
LaPorte, IN 46350

Specify the model number of the ice maker when ordering.

Requesting Assistance or Service

1. If the problem is not due to one of the items listed in "Troubleshooting" on page 19*:

- Call the KitchenAid Consumer Assistance Center:



1-800-422-1230

One of our trained consultants can instruct you in how to obtain satisfactory operation from your appliance or, if service is necessary, recommend a qualified service company in your area.

- If you prefer, write to:
KitchenAid Brand Home Appliances
Consumer Assistance Center
c/o Correspondence Dept.
2000 North M-63
Benton Harbor, MI 49022-2692
Please include a daytime phone number in your correspondence.

2. If you need service*:

- Call your dealer or the repair service recommended.



- All service should be handled locally by the dealer from whom you purchased the unit or an authorized KitchenAid servicer.
- If you are unable to obtain the name of a local authorized KitchenAid servicer, call our Consumer Assistance Center telephone number (see Step 1).

3. If you are not satisfied with the action taken:

- Contact the Major Appliance Consumer Action Program (MACAP). MACAP is a group of independent consumer experts that voices consumer views at the highest levels of the major appliance industry.

- Contact MACAP only when the dealer, authorized servicer, and KitchenAid have failed to resolve your problem.

Major Appliance Consumer Action Program
20 North Wacker Drive
Chicago, IL 60606

- MACAP will in turn inform us of your action.

*When asking for help or service:

Please provide a detailed description of the problem (including any information that appears on the electronic control display), your appliance's complete model and serial numbers, and the purchase date. (See page 2.) This information will help us respond properly to your request.

Don't forget, KitchenAid offers a full line of quality home appliances.

Built-In Refrigerators	Trash Compactors	Ranges & Cooktops
Freestanding Refrigerators	Hot Water Dispensers	Microwave Ovens
50-Pound Ice Makers	Food Waste Disposers	Washers & Dryers
Dishwashers	Built-In Ovens	Mixers & Blenders

For more information on these appliances, or the one you have purchased, call our toll-free Consumer Assistance Center telephone number, **1-800-422-1230**.

Index

This index is alphabetical. Look for the word or phrase you are interested in, then look for the page number.

TOPIC	PAGE	TOPIC	PAGE
CLEANING		PARTS/FEATURES	5
Condenser	11	SAFETY	3
Exterior surfaces	11	SERVICE	
Ice maker system	12	Requesting	20
Interior components	14	TROUBLESHOOTING	19
CONTROLS		VACATION/MOVING CARE	17
Setting	7	WARRANTY	24
HOW YOUR ICE MAKER WORKS	6	WATER	
LIGHT BULB		Filtering and treating	16
Changing	10		
MOVING/VACATION CARE	17		
PANELS			
Door bin, changing	7		
Lower access, changing	8		

KitchenAid®

Automatic Ice Maker

Warranty

LENGTH OF WARRANTY:	KITCHENAID WILL PAY FOR:	KITCHENAID WILL NOT PAY FOR:
ONE YEAR FULL WARRANTY FROM DATE OF PURCHASE FOR RESIDENTIAL AND/OR LIGHT COMMERCIAL USE.	Replacement parts and repair labor to correct defects in materials or workmanship. Service must be provided by an authorized KitchenAid servicing outlet.	A. Service calls to: <ol style="list-style-type: none"> 1. Correct the installation of the ice maker. 2. Instruct you how to use the ice maker. 3. Replace house fuses or correct house wiring. 4. Correct house plumbing.
FIVE YEAR FULL WARRANTY FROM DATE OF PURCHASE FOR RESIDENTIAL AND/OR LIGHT COMMERCIAL USE.	Replacement parts and repair labor to correct defects in materials or workmanship in the sealed refrigeration system. These parts are: <ol style="list-style-type: none"> 1. Compressor 2. Evaporator 3. Condenser 4. Dryer 5. Connecting Tubing Service must be provided by an authorized KitchenAid servicing outlet.	B. Repairs when ice maker is used in locations where usage exceeds ice making capabilities of unit (about 50 pounds in 24 hours). This ice maker is intended only for residential and/or light commercial use that does not exceed these capabilities. C. Damage resulting from accident, alteration, misuse, abuse, improper installation, or installation not in accordance with local electrical and plumbing codes. D. Replacement parts or repair labor costs for units operated outside the United States. E. Pickup and delivery. This product is designed to be repaired in the home. F. Repairs to parts or systems caused by unauthorized modifications made to the appliance.

4/97

KITCHENAID DOES NOT ASSUME ANY RESPONSIBILITY FOR INCIDENTAL OR CONSEQUENTIAL DAMAGES. Some states do not allow the exclusion or limitation of incidental or consequential damages, so this exclusion or limitation may not apply to you. This warranty gives you specific legal rights and you may also have other rights which vary from state to state.

Outside the United States, a different warranty may apply. For details, please contact your authorized KitchenAid dealer.

If you need service, first see the "Requesting Assistance or Service" section of this book. After checking "Requesting Assistance or Service," additional help can be found by calling our service assistance telephone number, toll free, **1-800-422-1230**, from anywhere in the U.S.A.

KitchenAid
Benton Harbor, MI 49022-2692 U.S.A.

PART NO. 2181092

© 1997 KitchenAid

® Registered Trademark / ™ Trademark of KitchenAid, U.S.A.

4/97
Printed in the U.S.A.